



Item No. _____
 Project _____
 Quantity _____

BakerSeries Roll-in Oven Racks [Single] Side-Load

MODEL: LRR-1-26-13FS



LRR-1-26-13FS Shown

Pans Not Included

PAN & PRODUCTION CAPACITY GUIDE

Capacity / Model	LRR-1-26-13FS
18x26 Pans	13
2" Deep Hotel Pans	26
4" Deep Hotel Pans	26

Short Bid Specification:

Oven Racks shall be a LBC Bakery Equipment, Inc.. Model LRR-1-26-13 FS Single-side load oven racks. Rack capacity shall be 13 - 18" x 26" Sheet pans or 26 - 2" or 4" Deep Hotel Pans, Oven Racks shall be constructed of 18 gage stainless steel, welded at each slide to the square tubular stainless steel frame and electro-polished to remove weld slag and discoloration. Casters shall be of hi-temperature design, able to withstand up to 600 degrees and shall include a non-metallic, composite wheel with a Rulon(R) type bearing insert. All fasteners shall be stainless steel. Oven racks shall be reinforced at the bottom frame to minimize rack sway when fully loaded. Racks shall be shipped KD and shall be assembled on site. Racks shall fit either single or double rack ovens by changing top configuration on site.

Construction Features

- Heavy Duty Stainless Steel Construction
- 4" High Temperature, Non-metalic Swivel Casters
- Rulon Bearing inserts at wheel axles
- Electro-polished Annealed Finish
- Fits standard "B" Style Lift Systems
- Shipped Assembled and Welded
- Fits Single or Double Rack Ovens

Performance Features

- Designed for Standard 18 x 26 Sheet Pans
- Hold 2" and 4" Deep Hotel Pans
- Utilizes Standard "B" Style Lift
- Casters Rated 600 Deg. F.
- Caster Capacity 500 Lbs. Each

STANDARD PRODUCT WARRANTY

N/A

Sheet Number LRR-1-26-13 FS (rev 08/09)

BakerSeries Roll-in Oven Racks

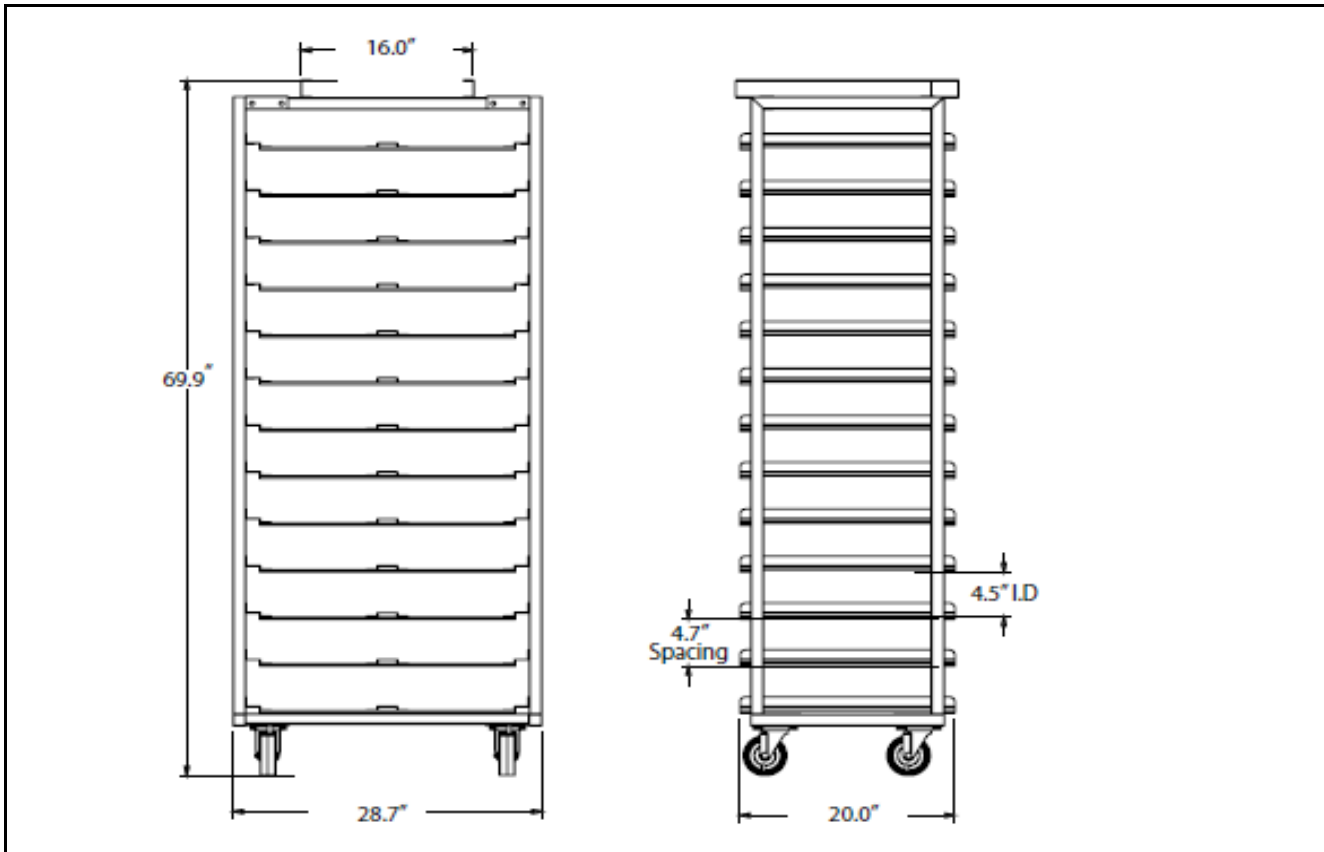
MODEL: LRR-1-26-13FS

INSTALLATION REQUIREMENT

Racks Shipped Assembled, configured for single or double rack oven on site.
 Caster Swivel Bearings require periodic lubrication with #2 food-grade grease

OPTIONS & ACCESSORIES

Welded fasteners for Correctional Use



Model	Capacity	Spacing	Weight	Depth x Width x Height
LRR-1-26-13 FS	13 - Full Size Sheet Pan	4"	108	18 x 28-3/8 - 70
	26 - Full Size 2" Hotel Pans			
	26 - Full Size 4" Hotel Pans			

Note: Ships Assembled and Welded